

# WaterTech



COMPANY  
MANAGEMENT SYSTEM  
CERTIFIED BY DNV GL  
= ISO 9001 =  
= ISO 14001 =



## MID R160 MI-001

Single-jet water meter  
with dry dial counter

POPULARIS

# POLARIS

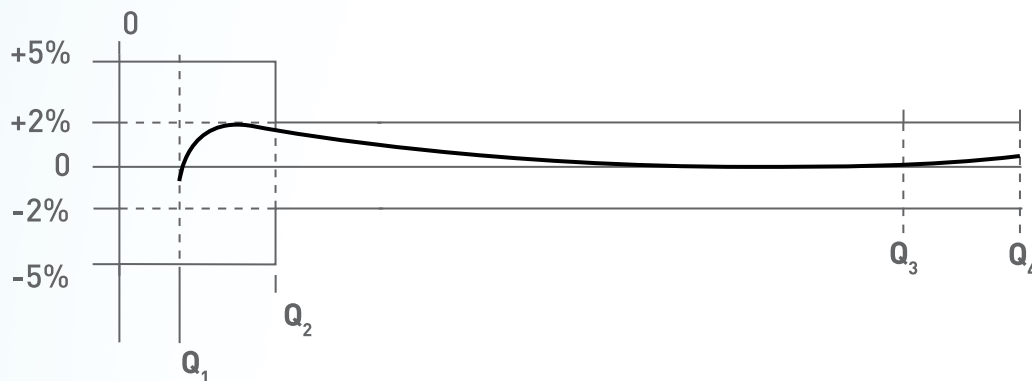
## Single-jet water meter with dry dial counter

### PERFORMANCE ACCORDING TO MID 2004/22/CE DIRECTIVE

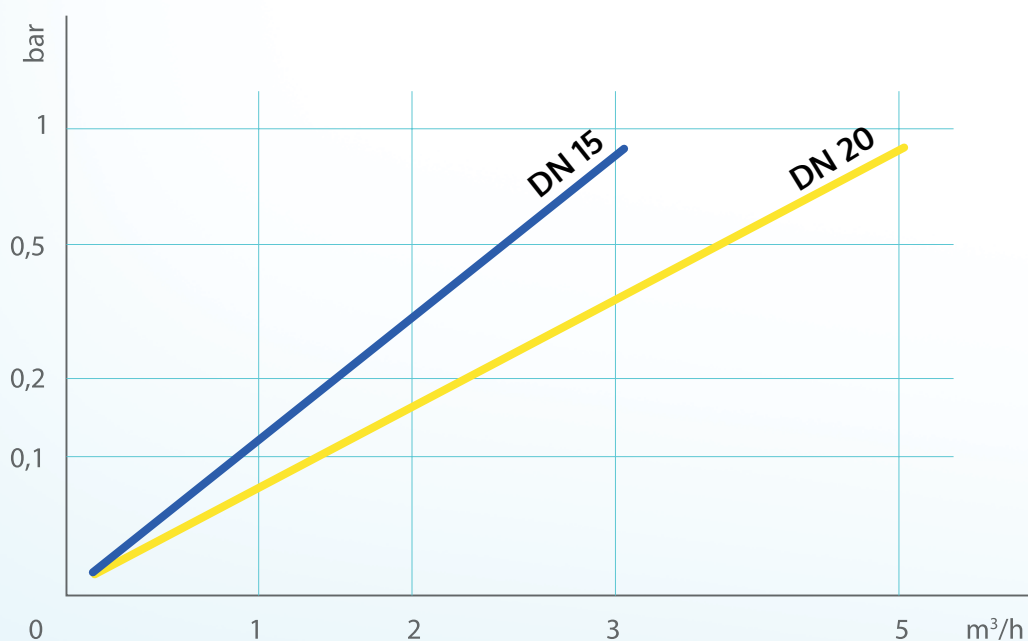
SIZE		PERMANENT FLOW $Q_3$ (m <sup>3</sup> /h)	MAXIMUM FLOW $Q_4$ (m <sup>3</sup> /h)	TRANSITIONAL FLOW $Q_2$ (l/h)	MINIMUM FLOW $Q_1$ (l/h)	WORKING PRESSURE (bar)	MINIMUM READING (l)	MAXIMUM READING (m <sup>3</sup> )	TEMPERATURE CLASS
(mm)	(inch)								
13/15	1/2"	2,5	3,125	25	15,6	16	0,05	99.999	T30/T50
20	3/4"	4,0	5,000	40	25,0	16	0,05	99.999	T30/T50

Metrological class MID ( $Q_3/Q_1$ ) R ≤ 160

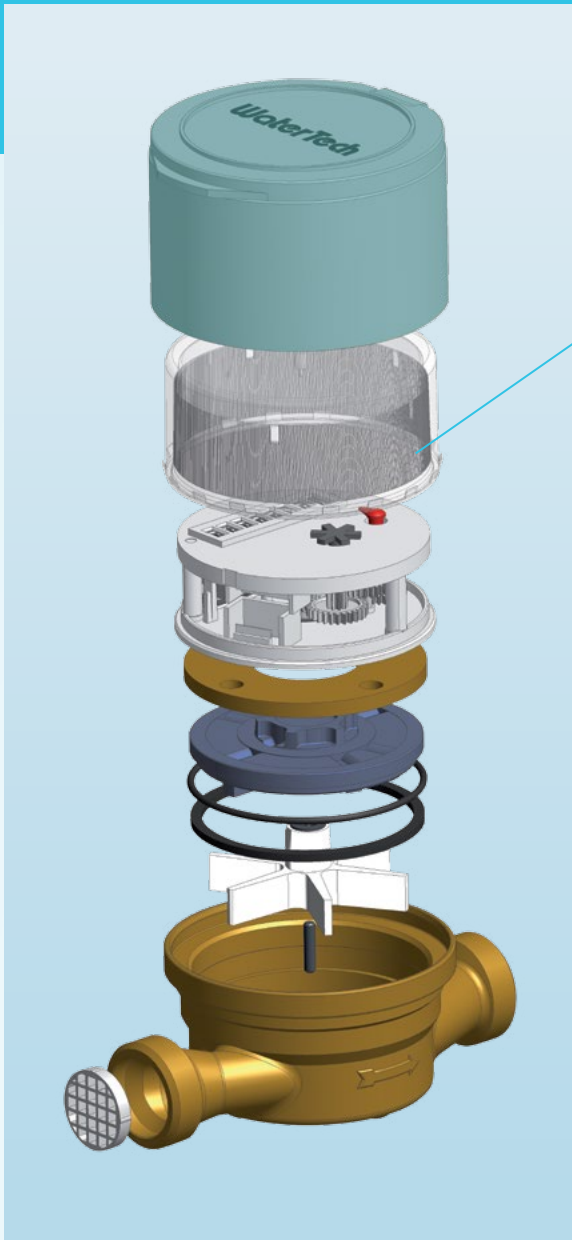
### TYPICAL ERROR CURVE



### PRESSURE LOSS DIAGRAM



## RADIO



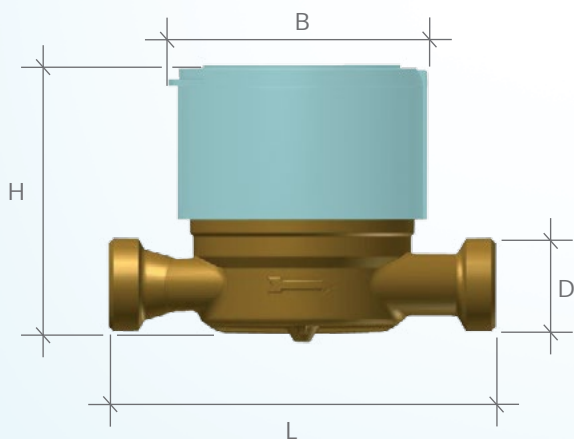
A version with wiper is available on request



## MODULARIS



## DIMENSIONS



(mm) SIZE (inch)		13/15	20
		1/2"	3/4"
L (mm)		110 - 115* 145 - 165 170 - 190	115 130 190
Standard version	H (mm)	77	79
	B (mm)	72	72
Version with pulse emitter	H (mm)	84	86
	B (mm)	86	86
D (inch)		3/4"	1"
TOTAL LENGTH OF CONNECTORS (mm)		80	100

\* in length 115, D 7/8" - 3/4" is available on request

For additional information and options, do not hesitate to contact us



## **WATERTECH S.P.A. - Water meters**

**Factory, commercial main office and administration:**

Str. Antica Fornace, 2/4 • 14053 Canelli (AT) – Italy

**Tel** +39 0141 822106-832151 • **Fax** +39 0141 832191-832198

**Mail** [info@wtmeters.it](mailto:info@wtmeters.it) • **Web** [www.wtmeters.it](http://www.wtmeters.it)