



COMPANY
MANAGEMENT SYSTEM
CERTIFIED BY DNV GL
= ISO 9001 =
= ISO 14001 =



ISO 4064/2014-R80

**Woltmann water meter
with pulse emitter - reed switch type**

AND FROM A BIG SIZE

ANDROMEDA BIG SIZE

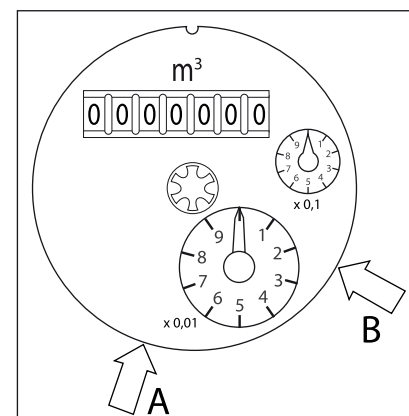
Woltmann type water meter with pulse emitter - reed switch type

PERFORMANCE ACCORDING TO ISO 4064/2014 DIRECTIVE

SIZE		PERMANENT FLOW	MAXIMUM FLOW	TRANSITIONAL FLOW	MINIMUM FLOW	WORKING PRESSURE	MINIMUM READING	MAXIMUM READING	TEMPERATURE CLASS
(mm)	(inch)	Q ₃ (m ³ /h)	Q ₄ (m ³ /h)	Q ₂ (l/h)	Q ₁ (l/h)	(bar)	(l)	(m ³)	
50	2"	40	50,00	800	500	16	0,5	999.999	T30/T50
65	2 1/2"	63	78,75	1260	788	16	0,5	999.999	T30/T50
80	3"	63	78,75	1260	788	16	0,5	999.999	T30/T50
100	4"	100	125,00	2000	1250	16	0,5	999.999	T30/T50
125	5"	160	200,00	3200	2000	16	0,5	999.999	T30/T50
150	6"	250	312,50	5000	3125	16	5	9.999.999	T30/T50
200	8"	400	500,00	8000	5000	16	5	99.999.999	T30/T50

PULSE FREQUENCY RANGE K - (Lt/pulse)	SIZE (mm)	A (m ³)	B (m ³)
	50-65-80 100-125	0,1	1
	150-200	1	10

On request, we can supply also special versions: DN 50-125 K=10,0 liters
DN 150-200 K=100,0 liters

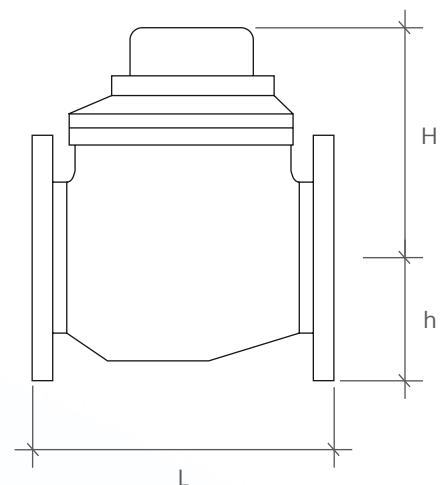


REED SWITCH TECHNICAL DATA

SUPPLY VOLTAGE	24 (V) 100 (Ma)
CLOSURE	<= 20 (m/s)
PROTECTION RESISTANCE	100 (Ohm)
WIRE LENGTH	2 (m)
PROTECTION CLASS	IP64
TEMPERATURE RANGE	-10 / +90 °C

DIMENSIONS

SIZE	(mm)	50	65	80	100	125	150	200
	(inch)	2"	2 1/2"	3"	4"	5"	6"	8"
L (mm)		200	200	225	250	250	300	350
H (mm)		125	126	172	172	172	172	201
h (mm)		75	83	95	105	120	135	160



Rev. 4/2017 The content of this data sheet is intended to give general information only, we reserve the right to make alterations without prior notification

For additional information and options, do not hesitate to contact us

WATERTECH S.P.A. - Water meters

Factory, commercial main office and administration: Str. Antica Fornace, 2/4 • 14053 Canelli (AT) – Italy
Tel +39 0141 822106-832151 • Fax +39 0141 832191-832198 • Mail info@wtmeters.it • Web www.wtmeters.it