



COMPANY
MANAGEMENT SYSTEM
CERTIFIED BY DNV GL

= ISO 9001 =
= ISO 14001 =



MID R80 MI-001

Single-jet water meter
with dry dial counter

POLLARIS

POLARIS

Single-jet water meter with dry dial counter

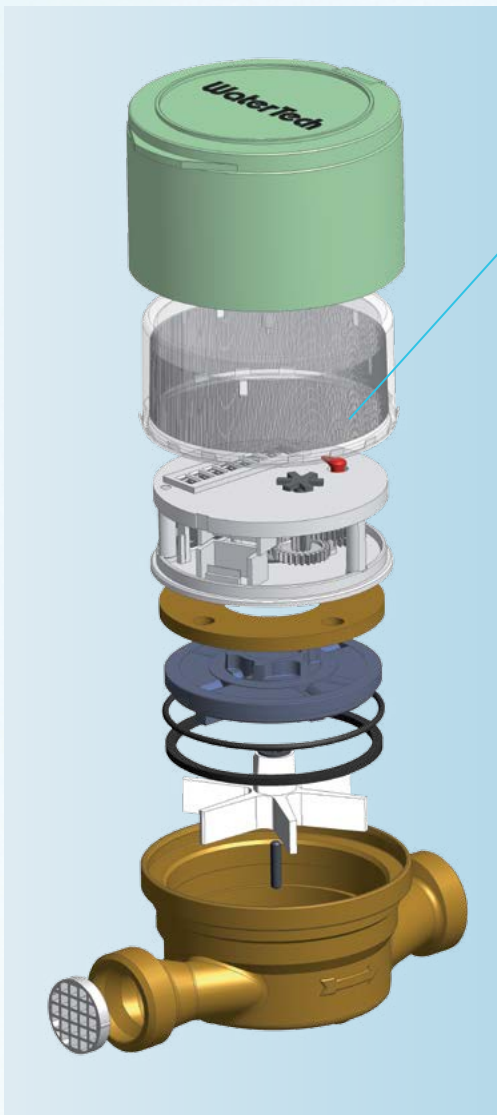
PERFORMANCE ACCORDING TO MID 2014/32/UE DIRECTIVE * AS AMENDED

SIZE		PERMANENT FLOW Q_3 (m ³ /h)	MAXIMUM FLOW Q_4 (m ³ /h)	TRANSITIONAL FLOW Q_2 (l/h)	MINIMUM FLOW Q_1 (l/h)	WORKING PRESSURE (bar)	MINIMUM READING (l)	MAXIMUM READING (m ³)	TEMPERATURE CLASS
(mm)	(inch)								
13/15	1/2"	2,5	3,125	50	31,3	16	0,05	99.999	T50/T90
20	3/4"	4,0	5,000	80	50,0	16	0,05	99.999	T50/T90

* It replaces the MID 2004/22/CE Directive.

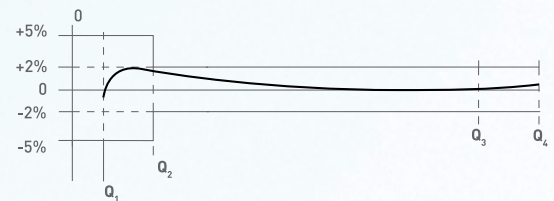
Metrological class MID (Q_3/Q_1) R = 80

Rev. 4/2017 The content of this data sheet is intended to give general information only, we reserve the right to make alterations without prior notification

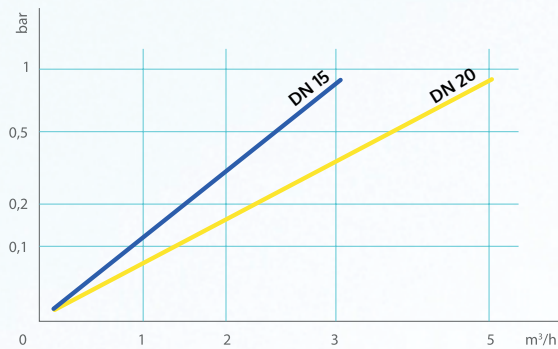


A version with wiper is available on request

TYPICAL ERROR CURVE



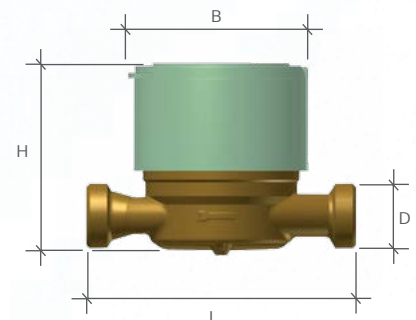
PRESSURE LOSS DIAGRAM



DIMENSIONS

(mm) SIZE (pollici)	13/15	20
L (mm)	110-115*-145 165-170-190	115 - 130 - 190
H (mm)	77	79
D (inch)	3/4"	1"
B (mm)	72	72
TOTAL LENGTH OF CONNECTORS (mm)	80	100

* in length 115, D 7/8" - 3/4" is available on request



For additional information and options, do not hesitate to contact us

WATERTECH S.P.A. - Water meters

Factory, commercial main office and administration: Str. Antica Fornace, 2/4 • 14053 Canelli (AT) – Italy
Tel +39 0141 822106-832151 • **Fax** +39 0141 832191-832198 • **Mail** info@wtmeters.it • **Web** www.wtmeters.it