



COMPANY  
MANAGEMENT SYSTEM  
CERTIFIED BY DNV GL  
= ISO 9001 =  
= ISO 14001 =



**Batch control unit - manual  
and semi-automatic**

**LAMBDA**

# LAMBDA

## Batch control unit - manual and semi-automatic

Rev. 4/2018 The content of this data sheet is intended to give general information only, we reserve the right to make alterations without prior notification

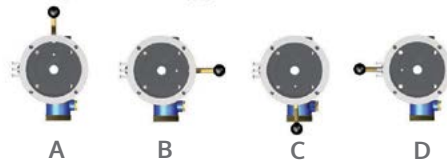
### PERFORMANCE

SIZE		RECOMMENDED WORKING FLOW QL (m³/h)	DIAL (l)
(mm)	(inch)		
25 *	1"	6,3	100-200-500
30/32 *	1-1/4"	10	100-200-500-1000
40	1-1/2"	16	100-200-500 1000-2000-5000
50	2"	25	500-1000 2000-5000

\*available only in Manual version

### OPTIONS AVAILABLE FOR MANUAL VERSION

Lever position

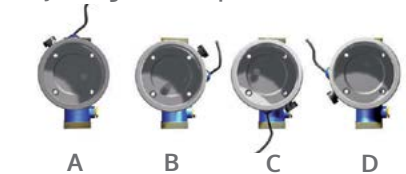


Dial position



### OPTIONS AVAILABLE FOR SEMI-AUTOMATIC VERSION

Adjusting handle position

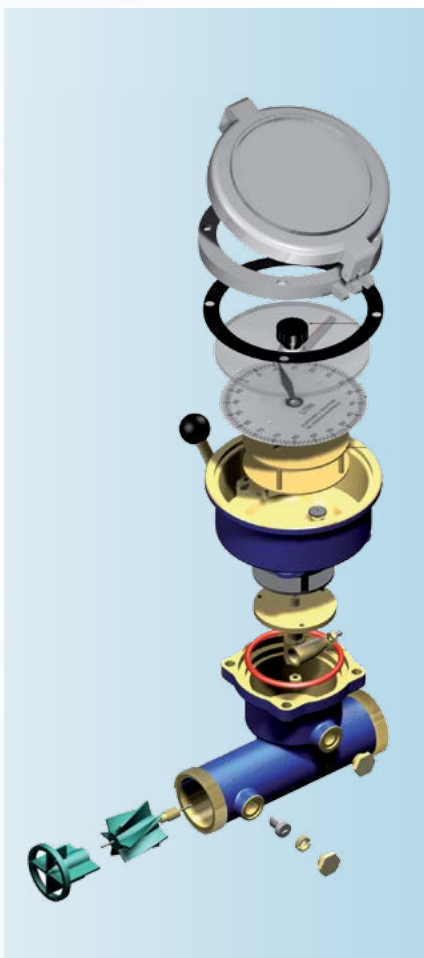
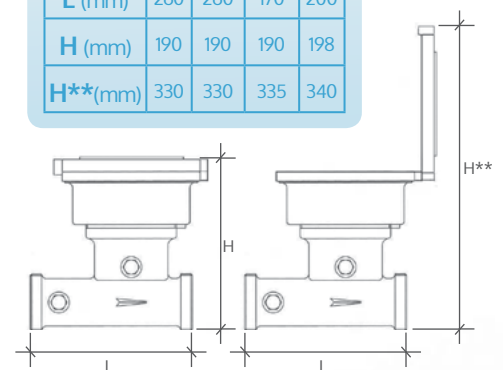


Dial position



### DIMENSIONS

(mm) SIZE (inch)	25	30/32	40	50
L (mm)	260	260	170	200
H (mm)	190	190	190	198
H**(mm)	330	330	335	340



For additional information and options, do not hesitate to contact us

**WATERTECH S.P.A. - Water meters**

Factory, commercial main office and administration: Str. Antica Fornace, 2/4 • 14053 Canelli (AT) – Italy  
**Tel** +39 0141 822106-832151 • **Fax** +39 0141 832191-832198 • **Mail** info@wtmeters.it • **Web** www.wtmeters.it