



COMPANY
MANAGEMENT SYSTEM
CERTIFIED BY DNV GL
= ISO 9001 =
= ISO 14001 =



ISO 4064/2014 - R80

**Turbine water meters with pulse
emitter - reed switch type**

ANDRIMEDA

ANDROMEDA

Turbine water meters with pulse emitter - reed switch type

PERFORMANCE ACCORDING TO ISO 4064/2014 NORME

SIZE		PERMANENT FLOW Q_3 (m ³ /h)	MAXIMUM FLOW Q_4 (m ³ /h)	TRANSITIONAL FLOW Q_2 (L/h)	MINIMUM FLOW Q_1 (L/h)	WORKING PRESSURE (bar)	TEMPERATURE CLASS
(mm)	(inch)						
13/15	1/2"	2,5	3,125	50	31,3	16	T50/T90
20	3/4"	4.0	5,000	80	50,0	16	T50/T90
25	1"	6,3	7,875	126,0	78,8	16	T50/T90
30/32	1"1/4	10,0	12,500	200,0	125,0	16	T50/T90
40	1"1/2	16,0	20,000	320,0	200,0	16	T50/T90
50	2"	25,0	31,250	500,0	312,5	16	T50/T90

Metrological class (Q_3/Q_1) R = 80

REED SWITCH TECHNICAL DATA

PULSE FREQUENCY RANGE K - (Lt/pulse)	1	10	100	1000
	0,5	5	50	500
	0,25	2,5	25	250

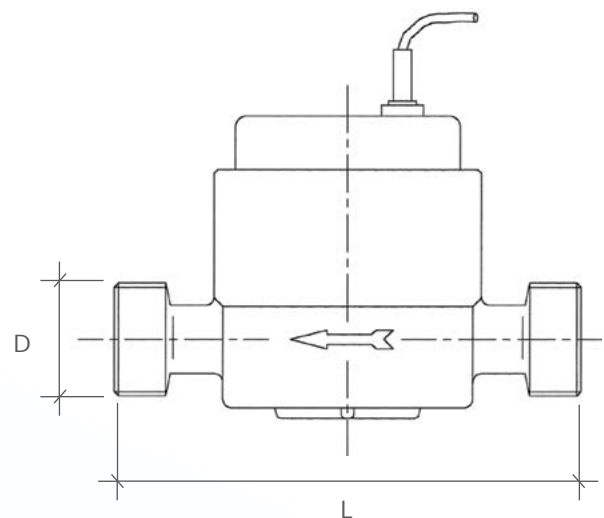
REED SWITCH MECHANICAL DATA		
WIRE DIAMETER	(mm)	4
WIRE LENGTH	(mt)	3
WORKING TEMPERATURE	(°C)	-20 /+100

REED SWITCH ELECTRICAL DATA		
MAX CONTACT RATING	(VA)	1,0
MAX SWITCHING CURRENT	(A)	0,1
MAX CARRYING CURRENT	(A)	0,3
MAX SWITCHING VOLTAGE	(VDC)	150min

DIMENSIONS

SIZE	(mm)	13/15	20	25	30/32	40	50*
	(inch)	1/2"	3/4"	1"	1"1/4	1"1/2	2"
L (mm)		110/165	130/190	260/160	260/160	300/200	300
D (inch)		3/4"	1"	1"1/4	1"1/2	2"	2"1/2
TOTAL LENGTH OF CONNECTORS (mm)		80	100	100	120	140	160

*Size DN 50 mm is available also in flanged version ISO PN 10/16



For additional information and options, do not hesitate to contact us

WATERTECH S.P.A. - Water meters

Factory, commercial main office and administration: Str. Antica Fornace, 2/4 • 14053 Canelli (AT) – Italy
Tel +39 0141 822106-832151 • Fax +39 0141 832191-832198 • Mail info@wtmeters.it • Web www.wtmeters.it