



COMPANY
MANAGEMENT SYSTEM
CERTIFIED BY DNV GL
ISO 9001 - ISO 14001
OHSAS 18001



S
R
I
S

MID MI-001

Single-jet water meter
with protected rollers

SIRIUS

Single-jet water meter with protected rollers

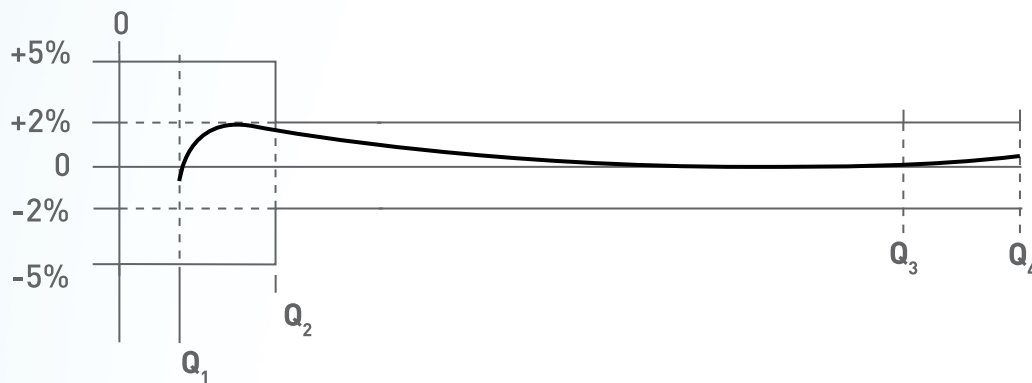
PERFORMANCE ACCORDING TO MID 2014/32/UE DIRECTIVE * AS AMENDED

SIZE		PERMANENT FLOW Q_3 (m ³ /h)	MAXIMUM FLOW Q_4 (m ³ /h)	TRANSITIONAL FLOW Q_2 (L/h)	MINIMUM FLOW Q_1 (L/h)	WORKING PRESSURE (bar)	MINIMUM READING (l)	MAXIMUM READING (m ³)	TEMPERATURE CLASS
(mm)	(inch)								
13/15	1/2"	2,5	3,125	25	15,6	16	0,05	99.999	T30/T50
20	3/4"	4,0	5,000	40	25,0	16	0,05	99.999	T30/T50

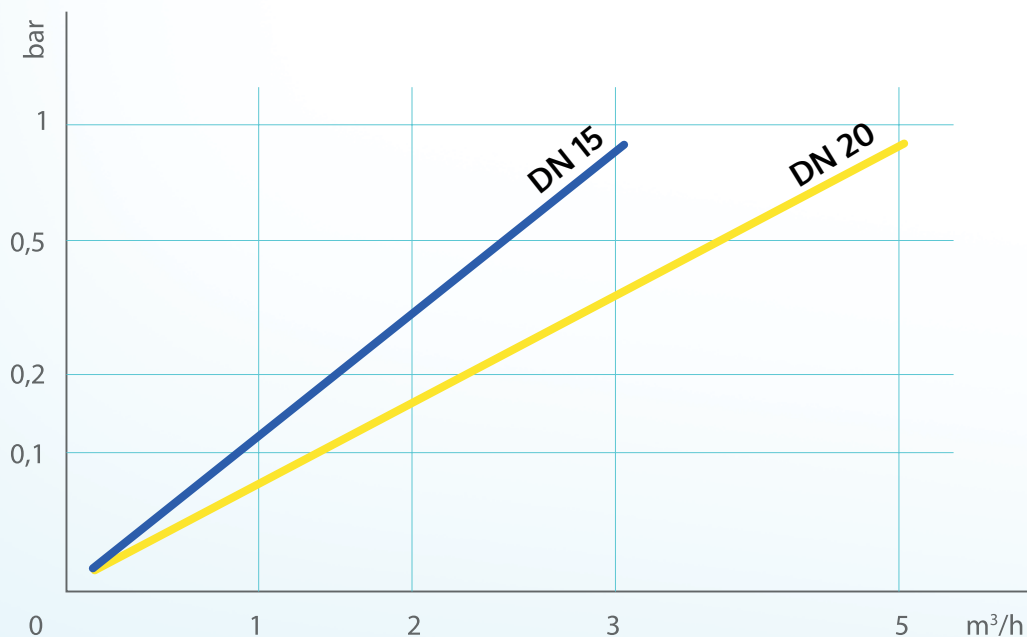
* It replaces the MID 2004/22/CE Directive.

Metrological class MID (Q_3/Q_1) $R \geq 160$

TYPICAL ERROR CURVE



PRESSURE LOSS DIAGRAM



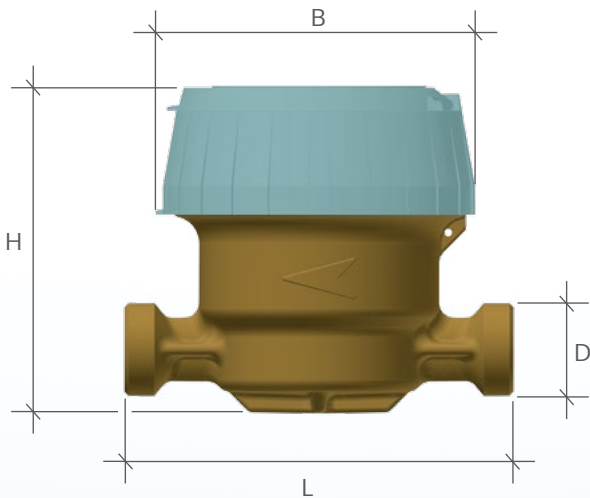
REED



HALL



DIMENSIONS



(mm) SIZE (inch)	13/15	20
	1/2"	3/4"
L (mm)	110 -115* -145 165 -170 190	115 130 190
H (mm)	92	92
B (mm)	89	89
D (inch)	3/4"	1"
TOTAL LENGTH OF CONNECTORS (mm)	80	100

* in length 115, D 7/8" - 3/4" is available on request

For additional information and options, do not hesitate to contact us



WATERTECH S.P.A. - Water meters

Factory, commercial main office and administration:

Str. Antica Fornace, 2/4 • 14053 Canelli (AT) – Italy

Tel +39 0141 822106-832151 • **Fax** +39 0141 832191-832198

Mail info@wtmeters.it • **Web** www.wtmeters.it